

Needle roller/axial cylindrical roller bearings

ZARF65155-L-TV (Series ZARF..-L)

double direction, for screw mounting, long shaft locating washer

The datasheet is only an overview of dimensions and basic load ratings of the selected product. Please always observe all the guidelines in these overview pages. Further information is given on many products under the menu item "Description". You can also order comprehensive information via the Catalogue ordering system (https://www.schaeffler.de/content.schaeffler.de/en/news_media/index.jsp) or by telephone on +49 (91 32) 82 - 28 97.

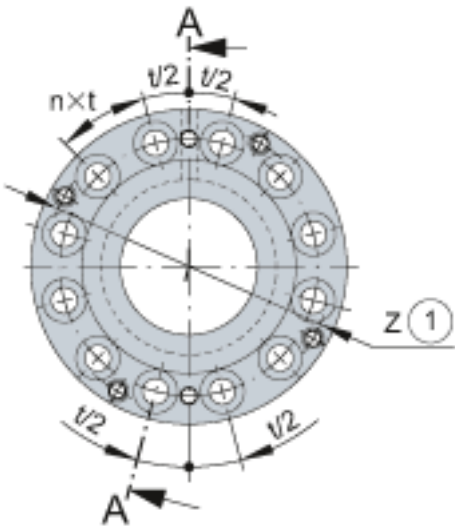
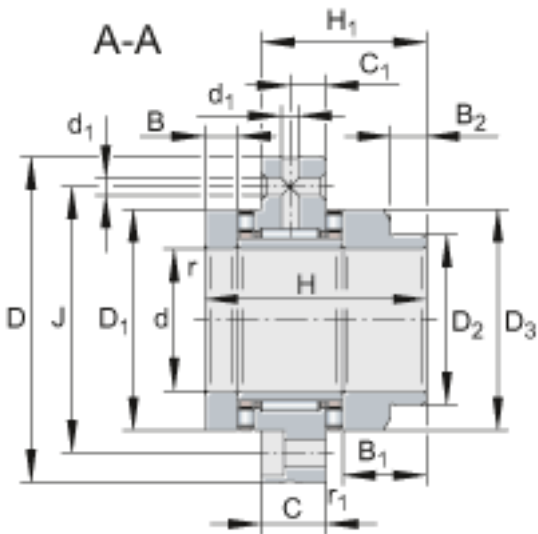
d	65 mm
D	155 mm
H	103 mm
	M10 Fixing screws to DIN EN ISO 4762 10.9 Screws not included in scope of delivery. Tightening torque according to manufacturer's data.
B	17,5 mm
B1	38,5 mm
B2	18 mm
C	22,5 mm
C1	12,5 mm
D1	110 mm

d ₁	6 mm	
D ₂	90 mm	
D ₃	108 mm	
D _{a max}	111 mm	Mounting dimensions If rotary shaft seals are used, the outside diameter of the sealing ring must be taken into consideration.
d _{a min}	88 mm	Mounting dimensions If rotary shaft seals are used, the outside diameter of the sealing ring must be taken into consideration.
H ₁	72 mm	
J	128 mm	
n _a x t _a	12 x 30 °	Number x pitch Screw mounting holes
n x t	12 x 30 °	Fixing screws to DIN EN ISO 4762 10.9 Number x pitch Screws not included in scope of delivery. Tightening torque according to manufacturer's data.
r _{1 min}	0,6 mm	
r _{min}	0,3 mm	
t ₁	0,2 mm	
m	5,7 kg	Mass
C _a	172000 N	Basic dynamic load rating, axial

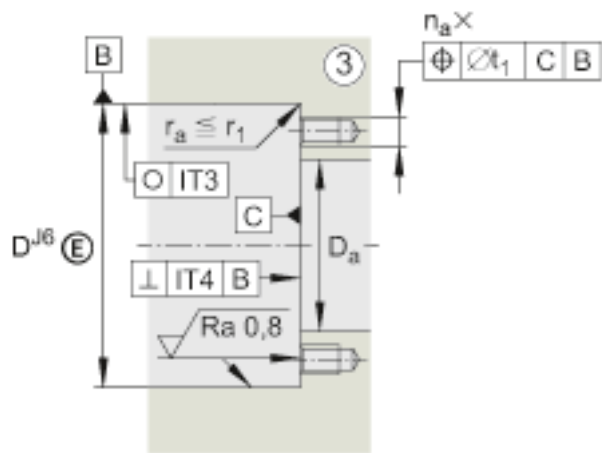
C _{0a}	500000 N	Basic static load rating, axial
C _r	54000 N	Basic dynamic load rating, radial
C _{0r}	104000 N	Basic static load rating, radial
C _{ua}	46500 N	Fatigue limit load, axial
C _{ur}	14900 N	Fatigue limit load, radial
n _{G Öl}	2600 1/min	Limiting speed for oil lubrication (valid only with adequate oil cooling)
n _{G Fett}	900 1/min	Limiting speed for grease lubrication
M _{RL}	4 Nm	Bearing frictional torque
C _{aL}	4800 N/μm	Axial rigidity
c _{kL}	4000 Nm/mrad	Tilting rigidity
M _m	60,1 kg * cm ²	Mass moment of inertia for rotating inner ring
	1 μm	Axial runout The axial runout data for screw drive bearing arrangements are based on the rotating inner ring.
	ZMA65/105	Recommended INA precision locknuts with radial clamping The recommended INA precision locknuts are not included in the scope of delivery and must be ordered separately.
	AM65	Recommended INA precision locknuts with axial clamping The recommended INA precision locknuts are not included in the scope of delivery and must be ordered separately.
M _A	270 Nm	Tightening torque Only valid in conjunction with INA precision locknuts. Observe the guidelines on locating/locating bearing arrangements.

40652 N Requisite locknut force, axial
 The requisite axial locknut force must be observed when using other locknuts.

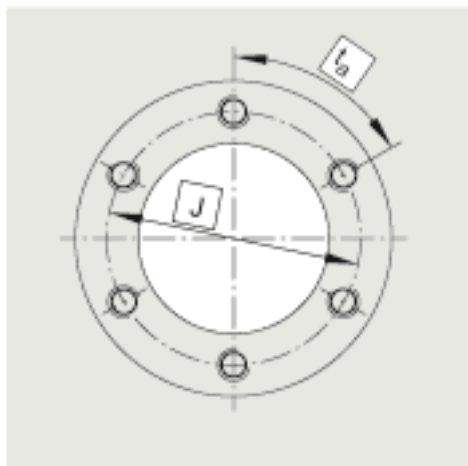
90X110X12 Rotary shaft seal to DIN 3760
 To be ordered separately.



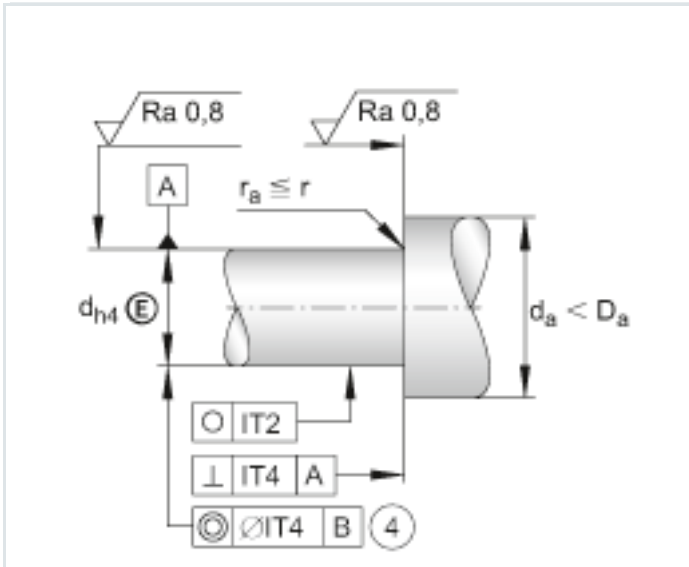
Hole pattern
 (1) Mounting dimension for seal carrier assembly DRS.
 Seal carriers: see under "Accessories".



Design of housing
 (3) Adjacent construction, bearing screw mounted in bore



Housing design



Design of shaft (threaded spindle)
 (4) Only valid in assembled condition